

Control valves

Series 1000

Valve 2 way flanges

BUROCCO

INDUSTRIAL VALVES srl

Technical data

Size (DN)	DN 15 - 100 (1/2" - 4")
Pressure rating	PN16
Connections	Flanges UNI/DIN PN16 Welding BW
Type sealing	Soft (Class VI)
Characteristic	Equalpercentage (eqp%)
Action	Pneumatic with diaphragm (supply max 3 bar)
Temperature	-30 to +200 °C

Description

Pneumatic 2 way valves at free-flow with high coefficient of flow, solid construction and compact. Versatility due to the construction with actuator. All Burocco valves are delivered as tested units and ready for a long lasting, maintenance free operation.

Options

- ⇒ Plug sealing HPP PEEK
- ⇒ Characteristic linear
- ⇒ Flanges drilling ANSI 150, (face to face) and rating UNI/DIN
- ⇒ Handwheel for emergency operation
- ⇒ Valve positioners
- ⇒ Limit switches
- ⇒ Airset

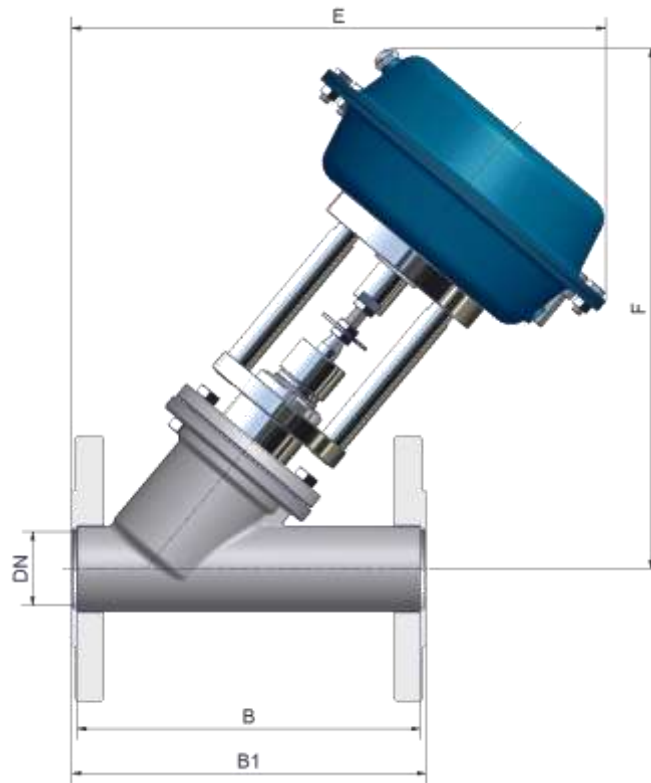
Materials

Valve body	316L
Trim (plug - seat)	316L + PTFE, PTFE-CG or PEEK plug
Stem	316L
Packing	PTFE, PTFE+'OR' FPM
Body gasket	PTFE
Actuator	FE (epoxy varnish) stainless steel
Yoke	stainless steel



Control valves
Series 1000
Valve 2 way flanges

BUROCCO
INDUSTRIAL VALVES srl



Misures						Weight (Kg) *					
DN	Thread	B (BW)	B ₁ (Flanges)	E		F		BW	BW	Flanges	Flanges
				Ø200	Ø275	Ø200	Ø275	Ø200	Ø275	Ø200	Ø275
8 - 11	1/4"-3/8"	126		270		242		5.5	---	5.7	---
15	1/2"	126	130	267	288	253	274	5.7	10.2	6.6	11.1
20	3/4"	146	150	283	304	263	284	5.8	10.3	7.3	11.8
25	1"	156	160	283	304	264	285	5.9	10.4	8.3	12.8
32	1"1/4	176	180	281	307	274	300	6.4	10.9	9.8	14.3
40	1"1/2	196	200	300	326	291	312	7.4	11.9	11.3	15.8
				Ø275	Ø340	Ø275	Ø340	Ø275	Ø340	Ø275	Ø340
50	2"	226	230	342	376	325	366	12.9	18.9	16.9	22.9
				Ø340	Ø430	Ø340	Ø430	Ø340	Ø430	Ø340	Ø430
65	2"1/2	286	290	464	505	426	458	23.8	29.8	30.5	36.5
80	3"	306	310	479	520	450	482	27.4	33.4	34.1	40.1
100	4"	345	350	513	554	464	496	31.5	37.5	40	46

* without positioner, airset or other accessories

Control valves

Series 1000

Valve 2 way welding SW



Technical data

Size (DN)	DN 10 - 50 (1/4" - 2")
Pressure rating	PN25
Connections	Welded SW Female threaded GAS 1/4" - 2"
Type sealing	Soft (Class VI)
Characteristic	Equalpercentage (eqp%)
Action	Pneumatic with diaphragm (supply max 3 bar)
Temperature	-30 to +200 °C

Description

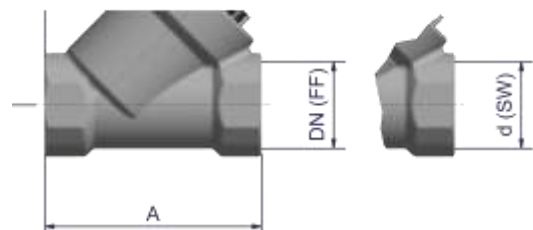
Pneumatic 2 way valves at free-flow with high coefficient of flow, solid construction and compact. Versatility due to the construction with actuator. All Burocco valves are delivered as tested units and ready for a long lasting, maintenance free operation.

Options

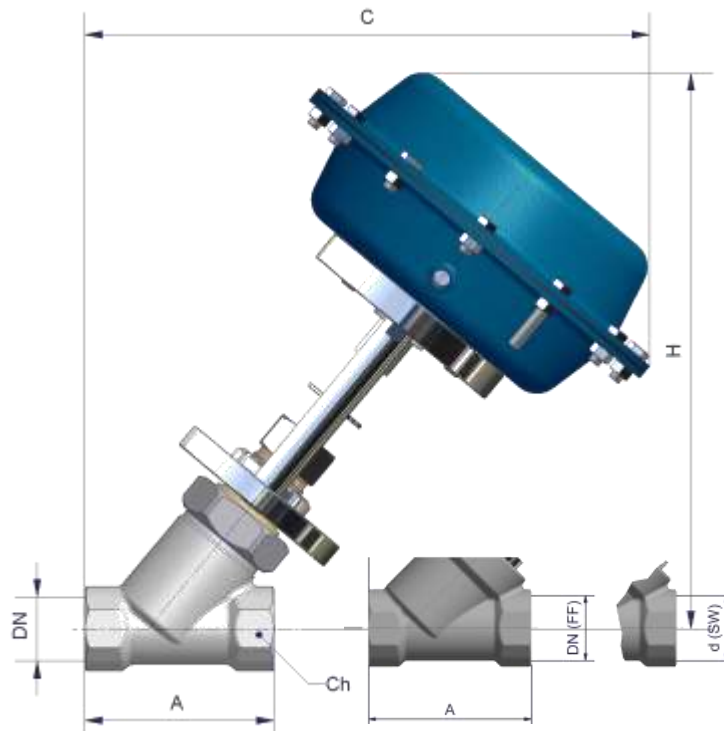
- ⇒ Plug sealing HPP PEEK
- ⇒ Characteristic linear
- ⇒ Handwheel for emergency operation
- ⇒ Valve positioners
- ⇒ Limit switches
- ⇒ Airset



Materials	
Valve body	316L
Trim (plug - seat)	316L + PTFE, PTFE-CG or PEEK plug insert
Stem	316L
Packing	PTFE, PTFE+'OR' FPM
Body gasket	PTFE
Actuator	FE (epoxy varnish) stainless steel
Yoke	stainless steel



Control valves
Series 1000
Valve 2 way welding SW



Misures							Pesi (Kg) *			
DN	Thread	A (FF—SW)	CH (FF—SW)	C		H	FF/SW	FF/SW		
Attuatore—Actuator				Ø200	Ø275	Ø200	Ø275	Ø200	Ø275	
8 - 11	1/4"-3/8"	60	22	267		242		5.4	---	
15	1/2"	65	27	275	296	248	269	5.6	10.1	
20	3/4"	75	32	278	299	250	271	5.7	10.2	
25	1"	90	39	274	295	264	285	5.9	10.4	
32	1"1/4	110	50	290	316	266	292	6.2	10.7	
40	1"1/2	120	55	300	326	278	299	7	11.5	
Attuatore—Actuator				Ø275	Ø340	Ø275	Ø340	Ø275	Ø340	
50	2"	150	68	346	380	308	349	12.3	18.3	

* without positioner, airset or other accessories