

ON/OFF valves
Series VPFA/3
General service valve 3 way diverting

BUROCCO
INDUSTRIAL VALVES srl

Technical data

Size (DN) DN 15 — 65
Pressure rating PN16
Connections Flanges UNI/DIN PN16
Type sealing Soft (Class VI)
Characteristic On/off
Action Pneumatic with piston (supply max 8 bar)
Temperature -5 to +180°C

Description

The Series VPFA/3 have three way globe body with screwed seats and function DIVERTING, is a general service valve with a body made from nodular cast iron.
The Series VPFA/3 on/off valve is the best choice for a simple and reliable globe valve. Series VPFA/3 valves can be used for liquid and gasses up to 16 bar and steam up to max 8 bar.

Options

- ⇒ Plug sealing HPP PEEK
- ⇒ Handwheel for emergency operation
- ⇒ Airset



Flow rate coefficient (CV)		
DN	CV	KVs
15	4	3,5
20	7	6
25	12	10
32	18	15,5
40	28	24
50	48	41
65	72	61,5

ON/OFF valves
 Series VPFA/3
 General service valve 3 way diverting

BUROCCO
 INDUSTRIAL VALVES srl

BUROCCO INDUSTRIAL VALVES srl VIA NOVEIS, 33 – 13867 PRAY (BI) - ITALY

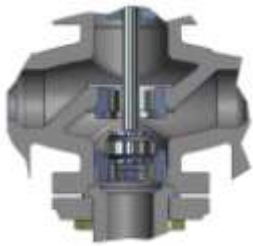
info@burocco.it — www.burocco.it

Tel.: +39 015 76.72.78 — Fax: +39 015 76.71.36

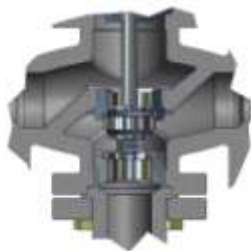
Materials	
Valve body	Nodular cast iron GGG 40 (PN16)
Trim (plug - seat)	316L + PTFE-CG or PEEK plug insert
Stem	316L
Packing	PTFE + graphite
Body gasket	FASIT 400
Acuator	Stainless steel

Function overview

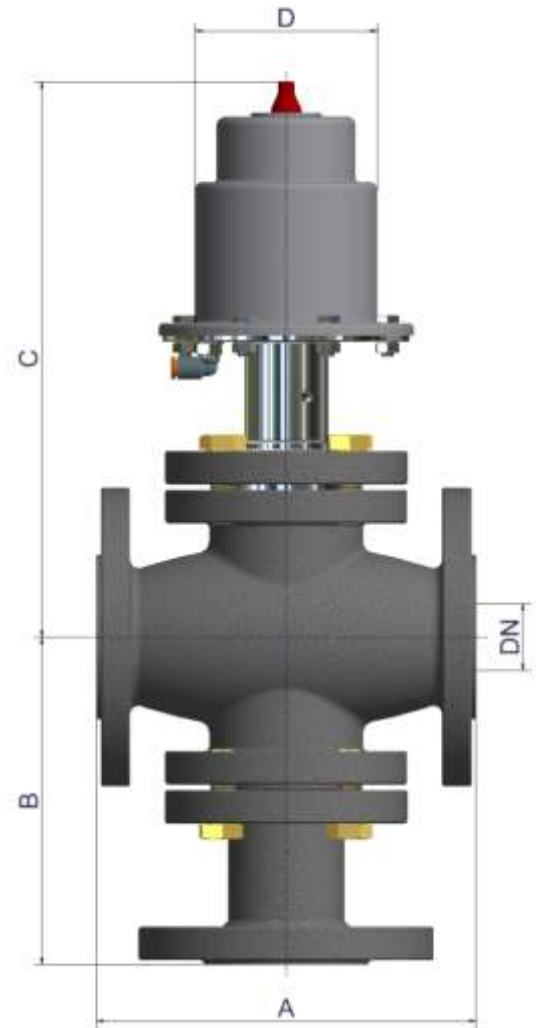
Diverting



Normally open straight way



Normally open square way



Standard dimensions (mm)					
DN	A	B	C	Ø D	Serv.
15	130	156	250	66	S63/R
20	150	156	250	66	S63/R
25	160	156	250	66	S63/R
32	180	156	265	88	S82/R
40	200	156	265	88	S82/R
50	230	166	315	88	S82
65	290	220	360	122	S118

Standard weight*							
DN	15	20	25	32	40	50	65
kg	9,5	11,5	12,5	16,5	17	On request	On request

* without airset or other accessories