

ON-OFF free flow valves Series VMFL/FF - SW

BUROCCO

INDUSTRIAL VALVES srl

Technical data

Size (DN)	DN 32 - 50
Rating	PN 25
Connections	Female threaded GAS (FF) - ISO 228 Socket weld (SW)
Plug characteristic	Parabolic linear
Action	Manual handwheel
Temperature	-30 to +150 °C

Description

Manual valve angle seat with high coefficient of flow, solid construction and compact. Versatility due to the construction of stainless steel for use in harsh environments.

They can be employed in several sector as: textile dyeing and finishing plants, chemical plants, water-treating, alimentary, general industrial plants.

Options

- ⇒ Packing box + extension bonnet (for steam max 180 °C)



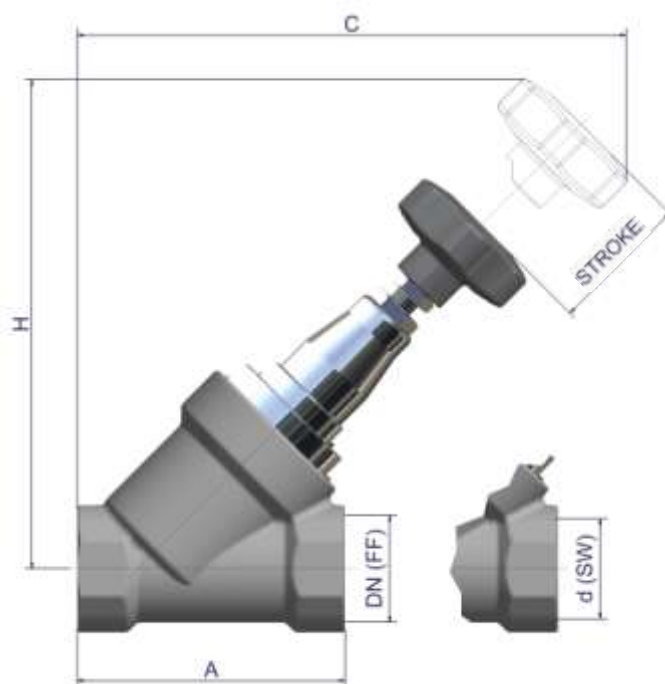
DN	C _v	K _{vs}
32 - 1"1/4	22	18,8
40 - 1"1/2	34	29
50 - 2"	53	45,3

ON-OFF free flow valves
Series VMFL/FF - SW

BUROCCO
INDUSTRIAL VALVES srl

BUROCCO INDUSTRIAL VALVES srl VIA NOVEIS, 33 - 13867 PRAY (BI) - ITALY

Materials	
Valve body	AISI 316/316L
Insert plug	PTFE (STD) - PTFE/CG - SILICON
Stem / Plug	AISI 316/316L
Packing	Standard PTFE ring energized with
Body gasket	PTFE (STD) - CARBOFIBER - KLINGER
O-ring	FPM



Dimensions (mm)					
DN	A	C	H	d (SW)	weight (Kg)
32	110	215	185	42,7	2,0
40	120	225	200	48,8	2,9
50	150	245	210	60,8	3,6

info@burocco.it — www.burocco.it

Tel.: +39 015 76.72.78 — Fax: +39 015 76.71.36