

# Control Valves

## Series 4000

Cryogenic Control Valves

# BUROCCO

## INDUSTRIAL VALVES srl

BUROCCO INDUSTRIAL VALVES srl VIA NOVEIS, 33 – 13867 PRAY (BI) - ITALY

burocco@burocco.it — www.burocco.it

Tel.: +39 015 76.72.78 — Fax: +39 015 76.71.36

### Technical data

Size (DN)	DN 10 — 40
Pressure rating	PN16 (DN32/40); PN16/40 (DN10/25)
Connections	Welded BW
Type sealing	Soft (Class VI) Metallic (Class IV - V)
Characteristic Action	Linear, Equalpercentage (eqp%) Pneumatic with diaphragm (supply max 3 bar)
Temperature	from -196 to +100 °C

### Description

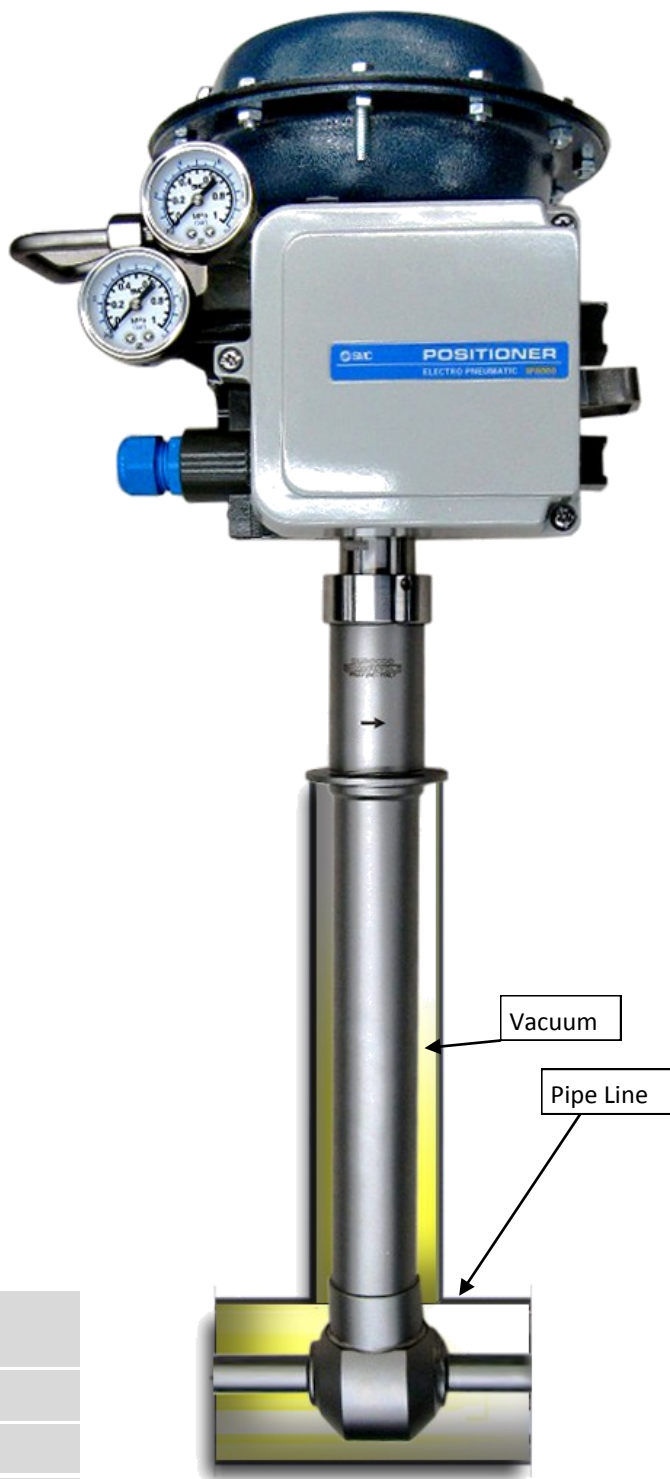
Control valves Series 4000 are designed for super vacuum insulated cryogenic plants and can also be used in pilot and experimental plants. Their body is built from stainless steel bars and is therefore completely configurable according to the type of application. All internal parts are completely removable without removing valve body from the pipe line, so all maintenance operations are made more easily. All Burocco valves are delivered after testing and calibration and ready for a long utilize, without maintenance.

### Options

- ⇒ Full stainless steel actuator for corrosive environment
- ⇒ Handwheel for emergency operation
- ⇒ Valve positioners and Position feedback
- ⇒ Stroke limiter and limit switches
- ⇒ Airset
- ⇒ Electric linear actuators (230 V AC, 110/115 V AC, 24 V AC/DC)
- ⇒ Hand operating (manual)
- ⇒ Pneumatic with piston actuator (service ON/OFF)
- ⇒ Body and extension special cleaning for Oxiges services
- ⇒ Special project design on request

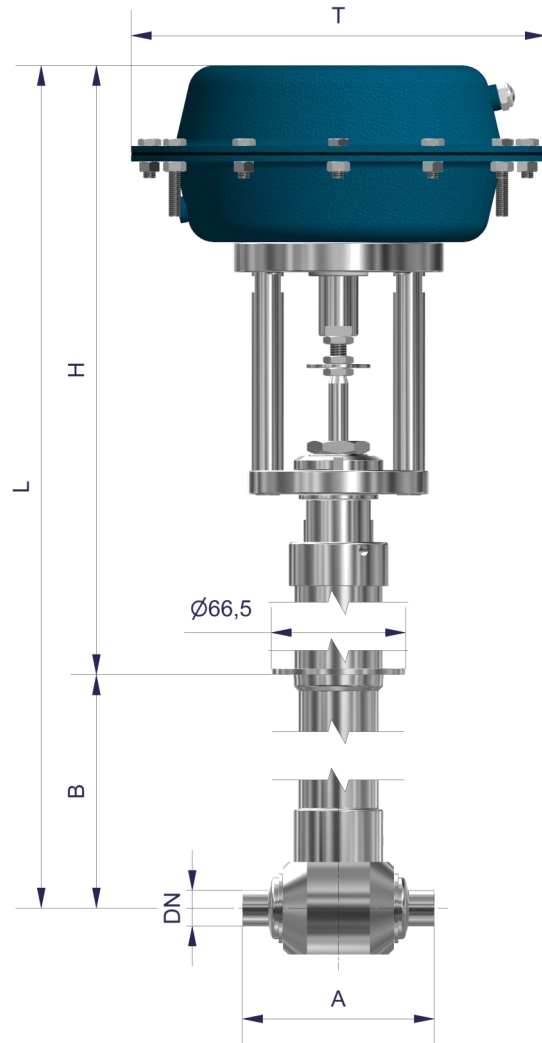
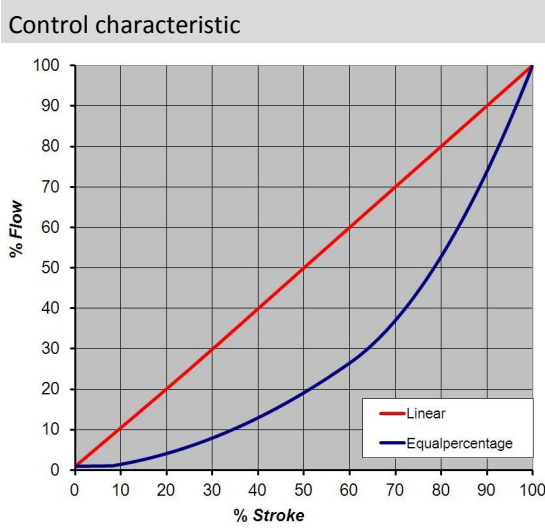
### Materials

Valve body	S.S. 316L (1.4404/4401)
Trim (plug - seat)	S.S. 316L (1.4404/4401)
Steam	S.S. 316L (1.4404/4401)
Packing	Metallic bellows 316L double wall PN16 Metallic bellows 316L triple wall PN40
Acuator	Fe (epoxy varnish) Stainless steel
Yoke	Stainless steel



**Control Valves**  
**Series 4000**  
 Cryogenic Control Valves

**BUROCCO**  
 INDUSTRIAL VALVES srl



Flow rate coefficient (CV)					
DN	¼" (10)	½" (15)	¾" (20)	1" (25)	1½" (40)
CV	-	-	-	-	-
	-	-	-	-	28
	-	-	-	-	18
	-	-	-	12	12
	-	-	7	7	7
	-	4	4	4	4
	2,5	2,5	2,5	2,5	2,5
	2	2	2	2	2
	1,5	1,5	1,5	1,5	1,5
	1	1	1	1	
	0,8	0,8	0,8	0,8	
	0,5	0,5	0,5	0,5	
	0,3	0,3	0,3	0,3	
	0,2	0,2	0,2	0,2	
	0,1	0,1	0,1	0,1	
	0,08	0,08	0,08	0,08	
	0,06	0,06	0,06	0,06	
	0,05	0,05	0,05	0,05	
	0,03	0,03	0,03	0,03	
	0,02	0,02	0,02	0,02	
0,01	0,01	0,01	0,01		

Size (mm) - (valve body with connections BW)							
Size	BW Ø <sub>est.</sub> x sp.	A	B	H	L	T	Body Size
DN10	13 x 1,5	80	285	330	615	Ø205	Ø44,5
DN15	18 x 1,5	95	290	330	620	Ø205	Ø65
DN20	23 x 1,5	120	300	330	630	Ø205	Ø80
DN25	28 x 1,5	140	300	330	630	Ø205	Ø80
DN32	36 x 2	150	300	330	630	Ø275	Ø95
DN40	44 x 2	150	300	330	630	Ø275	Ø95

BUROCCO INDUSTRIAL VALVES srl VIA NOVEIS, 33 - 13867 PRAY (BI) - ITALY

burocco@burocco.it — www.burocco.it

Tel.: +39 015 76.72.78 — Fax: +39 015 76.71.36